

Screw Jacks

Stock Programme

Screw jacks - Travelling nut
Special strokes up to 3000mm available



Screw jacks - Travelling screw

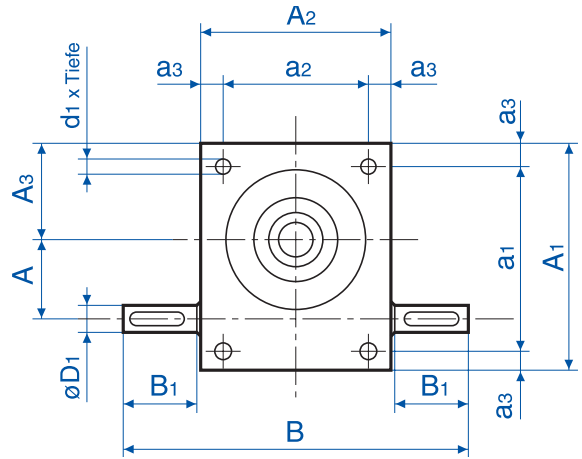
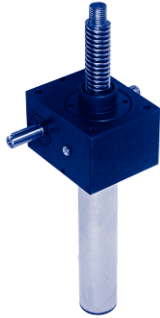


***We offer more than competitive prices -
contact our engineering department!***

Screw Jacks

precision range

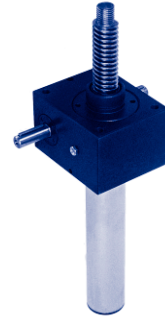
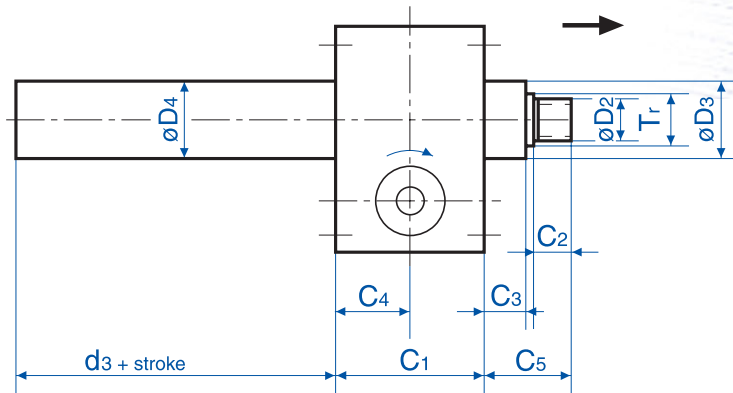
Travelling screw type



Ratio	Tr	A	A1	A2	A3	a1	a2	a3	B	B1	C1
4:1	14 x 4	20	60	50	22	48	38	6	92	20	50
16:1	14 x 4	20	60	50	22	48	38	6	92	20	50
4:1	18 x 4	25	80	72	31	60	52	10	120	22,5	62
16:1	18 x 4	25	80	72	31	60	52	10	120	22,5	62
4:1	20 x 4	32	100	85	40	78	63	11	140	25,5	75
16:1	20 x 4	32	100	85	40	78	63	11	140	25,5	75
6:1	30 x 6	45	130	105	54	106	81	12	195	43	82
24:1	30 x 6	45	130	105	54	106	81	12	195	43	82
7:1	40 x 7	63	180	145	78	150	115	15	240	45	117
28:1	40 x 7	63	180	145	78	150	115	15	240	45	117
9:1	60 x 9	71	200	165	83	166	131	17	300	65	160
36:1	60 x 9	71	200	165	83	166	131	17	300	65	160
9:1	60 x 9	71	210	195	90	170	155	20	325	63	175
36:1	60 x 9	71	210	195	90	170	155	20	325	63	175
10:1	70 x 10	80	240	220	100	190	170	25	355	65	165
40:1	70 x 10	80	240	220	100	190	170	25	355	65	165
10:1	80 x 10	80	240	220	100	190	170	25	355	65	165
40:1	80 x 10	80	240	220	100	190	170	25	355	65	165
10:1	100 x 10	100	290	250	125	230	190	30	380	63	220
40:1	100 x 10	100	290	250	125	230	190	30	380	63	220

Screw Jacks

precision range
Travelling screw type



C2	C3	C4	C5	D1 (j6)	D2	D3	D4	d1	d3	Part No.
12	12	25	27	9	M8	26.0	28	M6 x 12	25	562-004-010
12	12	25	27	9	M8	26.0	28	M6 x 12	25	562-016-010
19	12	32	35	10	M12	29,6	33,5	M8 x 13	25	562-104-012
19	12	32	35	10	M12	29,6	33,5	M8 x 13	25	562-116-012
20	18	37	45	14	M14	38,7	44	M8 x 15	35	562-204-015
20	18	37	45	14	M14	38,7	44	M8 x 15	35	562-216-015
22	23	41	50	16	M20	46.0	50	M10 x 15	35	562-306-020
22	23	41	50	16	M20	46.0	50	M10 x 15	35	562-324-020
29	32	59	65	20	M30	60.0	65	M12 x 16	50	562-407-025
29	32	59	65	20	M30	60.0	65	M12 x 16	50	562-428-025
48	40	79	95	25	M36	85.0	90	M20 x 30	60	562-509-040
48	40	79	95	25	M36	85.0	90	M20 x 30	60	562-536-040
48	40	87	95	25	M48 x 2	90.0	95	M24 x 40	60	562-609-050
48	40	87	95	25	M48 x 2	90.0	95	M24 x 40	60	562-636-050
58	40	82	110	30	M56 x 2	105.0	110	M30 x 45	60	562-710-060
58	40	82	110	30	M56 x 2	105.0	110	M30 x 45	60	562-740-060
58	40	82	110	30	M64 x 3	120.0	125	M30 x 45	60	562-810-075
58	40	82	110	30	M64 x 3	120.0	125	M30 x 45	60	562-840-075
78	50	106	140	35	M72 x 3	145.0	150	M36 x 54	70	562-910-100
78	50	106	140	35	M72 x 3	145.0	150	M36 x 54	70	562-940-100