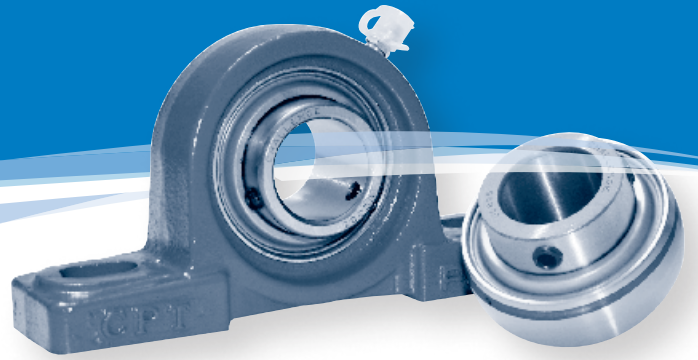
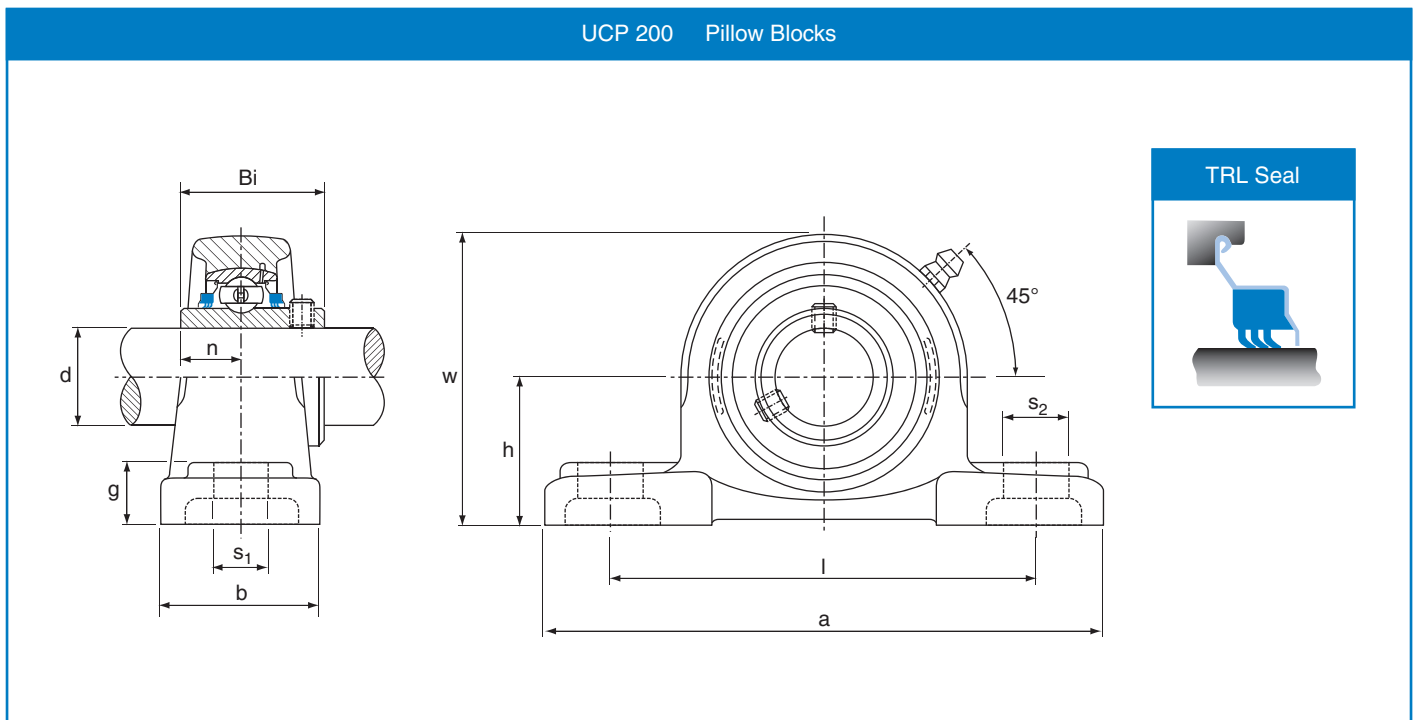


Bearing Units



Pillow Blocks

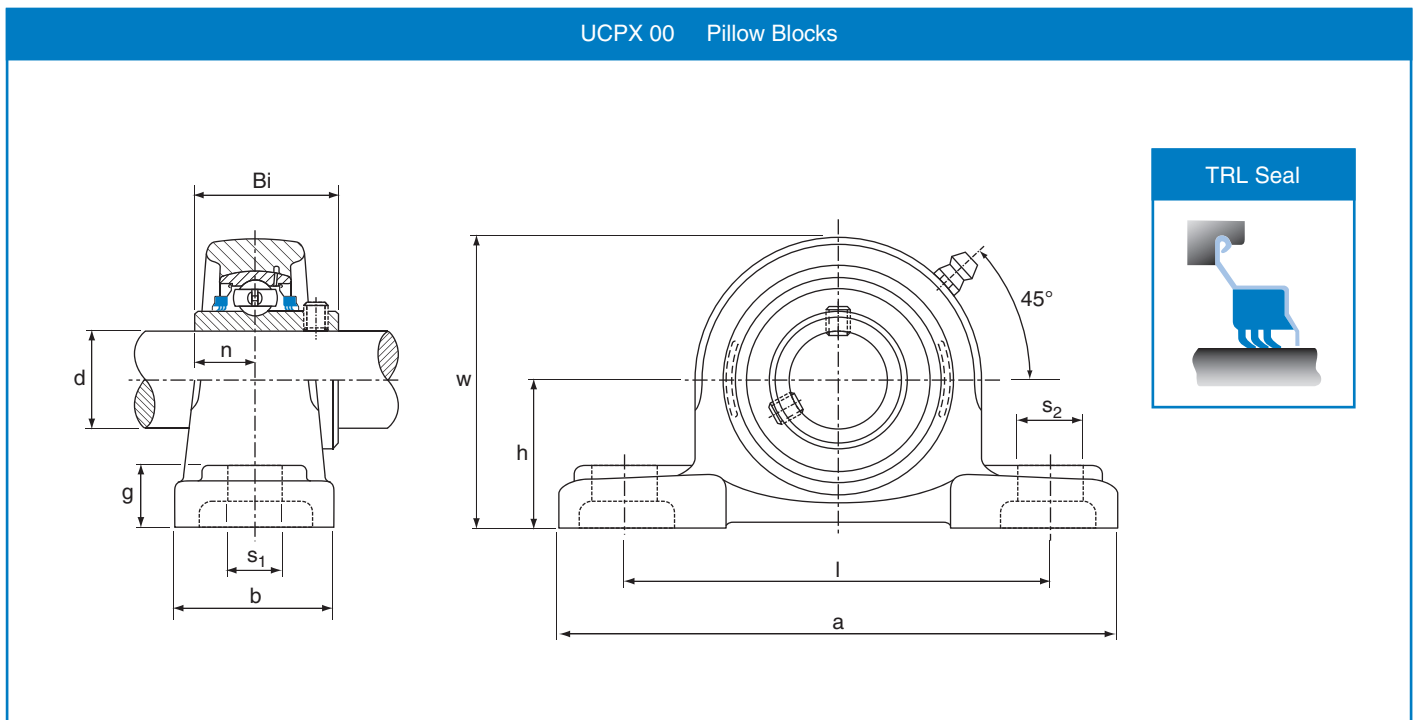


UCP 200 Pillow Blocks (Normal Duty)

Bearing Unit	Shaft Dia.		h	a	l	b	s ₂	s ₁	g	w	Bi	n	Bolt Size		Insert No.	Housing No.	Mass kg
	d inch	d mm											inch	mm			
UCP 204 UCP 204-12	3/4"	20	33.3	127	96	38	19	13	15	65	31.0	12.7	3/8	M10	UC 204 UC 204-12	P204	0.65
UCP 205 UCP 205-16	1"	25	36.5	140	105	38	19	13	16	70	34.0	14.3	3/8	M10	UC 205 UC 205-16	P205	0.79
UCP 206 UCP 206-18	1.1/8"	30	42.9	165	121	48	21	17	18	83	38.1	15.9	1/2	M14	UC 206 UC 206-18	P206	0.79
UCP 207 UCP 207-20 UCP 207-22	1.1/4" 1.3/8"	35	47.6	167	126	48	21	17	19	92	42.9	17.5	1/2	M14	UC 207 UC 207-20 UC 207-22	P207	1.60
UCP 208 UCP 208-24	1.1/2"	40	49.2	184	136	54	21	17	19	98	49.2	19.0	1/2	M14	UC 208 UC 208-24	P208	2.00
UCP 209 UCP 209-28	1.3/4"	45	54.0	190	146	54	21	17	20	106	49.2	19.0	1/2	M14	UC 209 UC 209-28	P209	2.20
UCP 210 UCP 210-32	2"	50	57.2	206	159	60	25	20	22	112	51.6	19.0	5/8	M16	UC 210 UC 210-32	P210	2.80
UCP 211 UCP 211-32	2"	55	63.5	219	171	60	25	20	22	126	55.6	22.2	5/8	M16	UC 211 UC 211-32	P211	3.40
UCP 212 UCP 212-36	2.1/4"	60	69.8	241	184	70	25	20	25	137	65.1	25.4	5/8	M16	UC 212 UC 212-36	P212	4.80
UCP 213 UCP 213-40	2.1/2"	65	76.2	265	203	70	29	25	27	150	65.1	25.4	3/4	M20	UC 213 UC 213-40	P213	5.70
UCP 214 UCP 214-44	2.3/4"	70	79.4	266	210	72	31	25	27	156	74.6	30.2	3/4	M20	UC 214 UC 214-44	P214	7.00
UCP 215 UCP 215-48	3"	75	82.6	275	217	74	31	25	28	163	77.8	33.3	3/4	M20	UC 215 UC 215-48	P215	7.60
UCP 216		80	88.9	292	232	78	31	25	30	175	82.6	33.3		M20	UC 216	P216	9.00

All dimensions in millimetres unless otherwise stated. Every effort has been taken to ensure that the data listed in this catalogue is correct. Challenge accepts no liability for any inaccuracies or damage caused.

Pillow Blocks

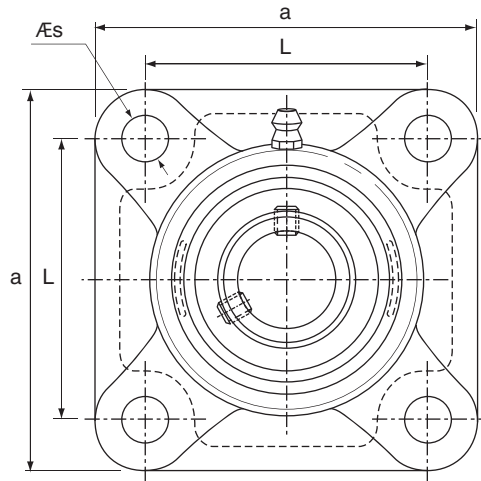
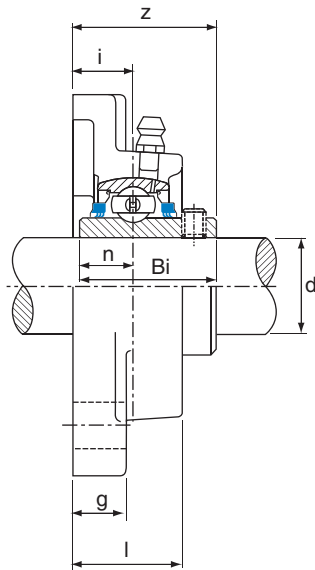


UCPX 00 Pillow Block (Medium Duty)

Bearing Unit	Shaft Dia.		h	a	l	b	s ₂	s ₁	g	w	Bi	n	Bolt Size		Insert No.	Housing No.	Mass kg
	d inch	d mm											inch	mm			
UCPX 05 UCPX 05-16	1"	25	44.4	159	119	51	25	17	18	85	38.1	15.9	1/2"	M14	UCX 05 UCX 05-16	PX 05	1.50
UCPX 06 UCPX 06-20	1.1/4"	30	47.6	175	127	57	25	17	20	94	42.9	17.5	1/2"	M14	UCX 06 UCX 06-20	PX 06	2.00
UCPX 07 UCPX 07-20 UCPX 07-22	1.1/4" 1.3/8"	35	54.0	203	144	57	30	17	22	105	49.2	19.0	1/2"	M14	UCX 07 UCX 07-20 UCX 07-22	PX 07	2.70
UCPX 08 UCPX 08-24	1.1/2"	40	58.7	222	156	67	32	20	26	113	49.2	19.0	5/8"	M16	UCX 08 UCX 08-24	PX 08	3.50
UCPX 09 UCPX 09-28	1.3/4"	45	58.7	222	156	67	33	20	26	116	51.6	19.0	5/8"	M16	UCX 09 UCX 09-28	PX 09	3.60
UCPX 10 UCPX 10-32	2"	50	63.5	241	171	73	36	20	27	126	55.6	22.2	5/8"	M16	UCX 10 UCX 10-32	PX 10	4.40
UCPX 11 UCPX 11-36	2.1/4"	55	69.8	260	184	79	36	25	30	139	65.1	25.4	3/4"	M20	UCX 11 UCX 11-36	PX 11	6.30
UCPX 12 UCPX 12-36	2.1/4"	60	76.2	286	203	83	41	25	32	152	65.1	25.4	3/4"	M20	UCX 12 UCX 12-36	PX 12	7.40
UCPX 13 UCPX 13-40	2.1/2"	65	76.2	286	203	83	41	25	32	154	74.6	30.2	3/4"	M20	UCX 13 UCX 13-40	PX 13	7.70
UCPX 14 UCPX 14-44	2.3/4"	70	88.9	330	229	89	51	27	35	171	77.8	33.3	7/8"	M22	UCX 14 UCX 14-44	PX 14	10.60
UCPX 15 UCPX 15-48	3"	75	88.9	330	229	89	51	27	35	175	82.6	33.3	7/8"	M22	UCX 15 UCX 15-48	PX 15	11.10
UCPX 16		80	101.6	381	283	102	59	27	42	195	85.7	34.1		M22	UCX 16	PX 16	16.20

Flange Units

UCF 200 4 Hole Flange Units



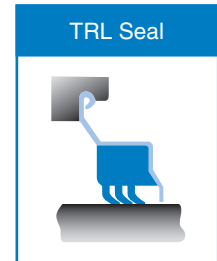
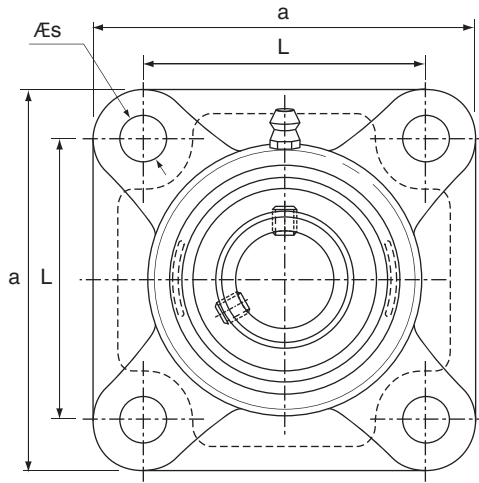
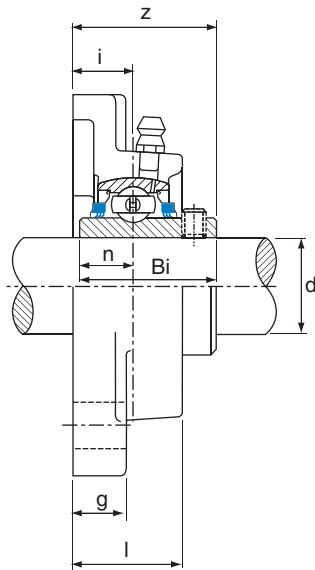
UCF 200 4 Hole Flange Units (Normal Duty)

Bearing Unit	Shaft Dia.		a	L	i	g	l	Øs	z	Bi	n	Bolt Size		Insert No.	Housing No.	Mass kg
	d inch	d mm										inch	mm			
UCF 204	3/4"	20	86	64	15	12	25.5	12	33.3	31.0	12.7	3/8"	M10	UC 204	F 204	0.6
UCF 204-12		UC 204-12														
UCF 205	1"	25	95	70	16	14	27	12	35.7	34.0	14.3	3/8"	M10	UC 205	F 205	0.8
UCF 205-16		UC 205-16														
UCF 206	1.1/8"	30	108	83	18	14	31	12	40.2	38.1	15.9	3/8"	M10	UC 206	F 206	1.1
UCF 206-18		UC 206-18														
UCF 207	1.1/4"	35	117	92	19	16	34	14	44.4	42.9	17.5	7/16"	M12	UC 207	F 207	1.5
UCF 207-20		UC 207-20														
UCF 207-22		UC 207-22														
UCF 208	1.1/2"	40	130	102	21	16	36	16	51.2	49.2	19.0	1/2"	M14	UC 208	F 208	1.9
UCF 208-24		UC 208-24														
UCF 209	1.3/4"	45	137	105	22	18	38	16	52.2	49.2	19.0	1/2"	M14	UC 209	F 209	2.3
UCF 209-28		UC 209-28														
UCF 210	2"	50	143	111	22	18	40	16	54.6	51.6	19.0	1/2"	M14	UC 210	F 210	2.5
UCF 210-32		UC 210-32														
UCF 211	2"	55	162	130	25	20	43	19	58.4	55.6	22.2	5/8"	M16	UC 211	F 211	3.4
UCF 211-32		UC 211-32														
UCF 212	2.1/4"	60	175	143	29	20	48	19	68.7	65.1	25.4	5/8"	M16	UC 212	F 212	4.4
UCF 212-36		UC 212-36														
UCF 213	2.1/2"	65	187	149	30	20	50	19	69.7	65.1	25.4	5/8"	M16	UC 213	F 213	5.3
UCF 213-40		UC 213-40														
UCF 214	2.3/4"	70	193	152	31	24	54	19	75.4	74.6	30.2	5/8"	M16	UC 214	F 214	6.0
UCF 214-44		UC 214-44														
UCF 215	3"	75	200	159	35	24	57	19	79.5	77.8	33.3	5/8"	M16	UC 215	F 215	6.6
UCF 215-48		UC 215-48														
UCF 216		80											M20	UC 216		

All dimensions in millimetres unless otherwise stated. Every effort has been taken to ensure that the data listed in this catalogue is correct. Challenge accepts no liability for any inaccuracies or damage caused.

Flange Units

UCFX 00 4 Hole Flange Units



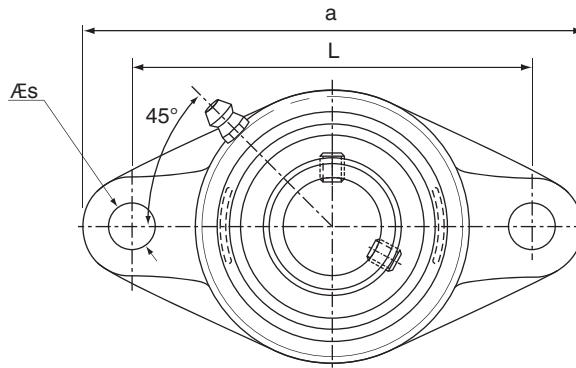
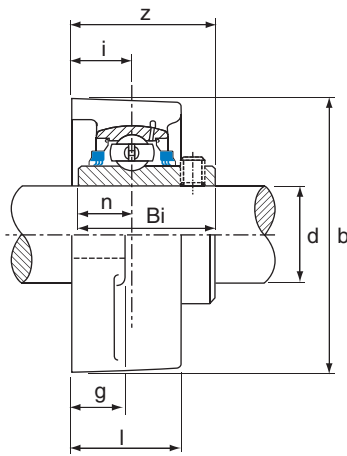
UCFX 00 4 Hole Flange Units (Medium Duty)

Bearing Unit	Shaft Dia.		a	L	i	g	l	Øs	z	Bi	n	Bolt Size		Insert No.	Housing No.	Mass kg
	d inch	d mm										inch	mm			
UCFX 05	1"	25	108	83	18	13	30	12	40.2	38.1	15.9	3/8"	M10	UCX 05	FX 05	1.1
UCFX 05-16		30											M14	UCX 05-16		
UCFX 06	1.1/4"	30	117	92	19	14	34	16	44.4	42.9	17.5	1/2"	M14	UCX 06	FX 06	1.4
UCFX 06-20		35											M14	UCX 06-20		
UCFX 07	1.1/4"	35	130	102	21	14	38	16	51.2	49.2	19.0	1/2"	M14	UCX 07	FX 07	1.9
UCFX 07-20													40	M16		
UCFX 07-22	1.3/8"	40	137	105	22	14	40	19	52.2	49.2	19.0	5/8"	M16	UCX 07-22	FX 08	2.1
UCFX 08	1.1/2"	40	137	105	22	14	40	19	52.2	49.2	19.0	5/8"	M16	UCX 08	FX 08	2.1
UCFX 08-24													45	M16		
UCFX 09	1.3/4"	45	143	111	23	14	40	19	55.6	51.6	19.0	5/8"	M16	UCX 09	FX 09	2.5
UCFX 09-28													50	M16		
UCFX 10	2"	50	162	130	26	20	44	19	59.4	55.6	22.2	5/8"	M16	UCX 10	FX 10	3.6
UCFX 10-32													55	M16		
UCFX 11	2.1/4"	55	175	143	29	20	49	19	68.7	65.1	25.4	5/8"	M16	UCX 11	FX 11	4.7
UCFX 11-36													60	M16		
UCFX 12	2.1/4"	60	187	149	34	21	59	19	73.7	65.1	25.4	5/8"	M16	UCX 12	FX 12	5.5
UCFX 12-36													65	M16		
UCFX 13	2.1/2"	65	187	149	34	21	59	19	78.4	74.6	30.2	5/8"	M16	UCX 13	FX 13	5.9
UCFX 13-40													70	M20		
UCFX 14	2.3/4"	70	197	152	37	24	60	23	81.5	77.8	33.3	3/4"	M20	UCX 14	FX 14	7.3
UCFX 14-44													75	M20		
UCFX 15	3"	75	197	152	40	24	68	23	89.3	82.6	33.3	3/4"	M20	UCX 15	FX 15	8.0
UCFX 15-48													80	M20		
UCFX 16		80	214	171	40	24	70	23	91.6	85.7	34.1	M20	UCX 16	FX 16	9.8	

Every effort has been taken to ensure that the data listed in this catalogue is correct. Challenge accepts no liability for any inaccuracies or damage caused. All dimensions in millimetres unless otherwise stated.

Flange Units

UCFL 200 2 Hole Flange Units

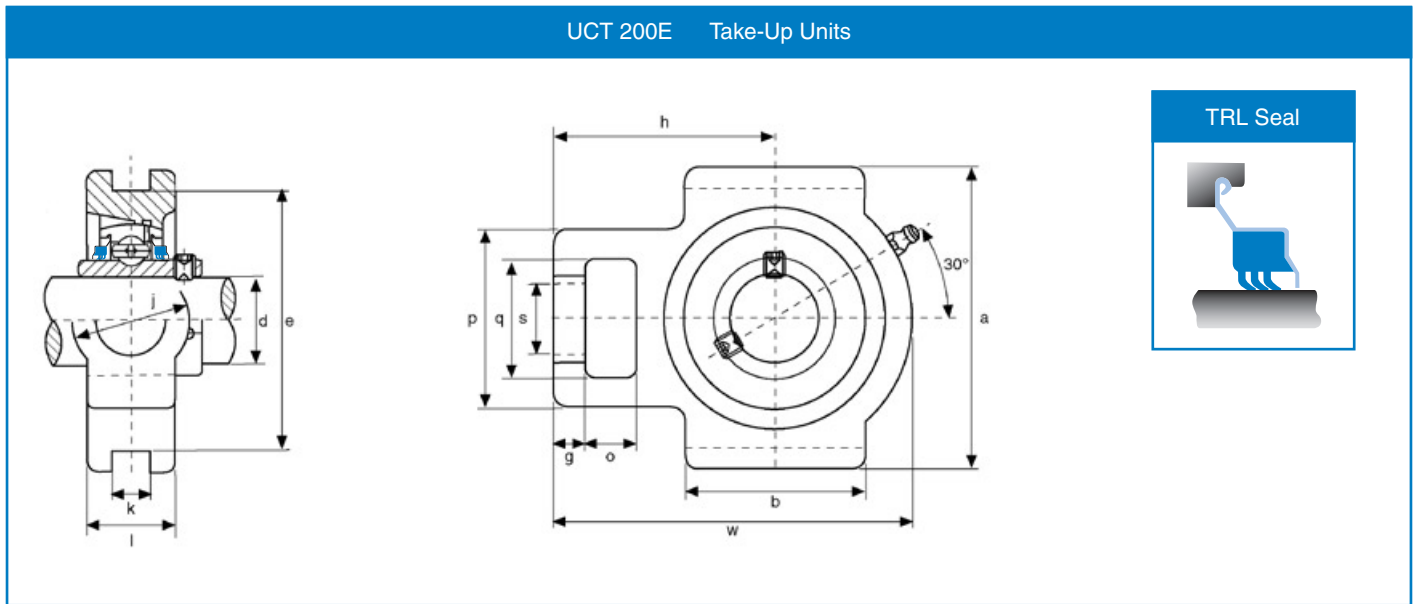


UCFL 200 2 Hole Flange Units (Normal Duty)

Bearing Unit	Shaft Dia.		a	L	i	g	l	∅s	b	z	Bi	n	Bolt Size		Insert No.	Housing No.	Mass kg
	d inch	d mm											inch	mm			
UCFL 204	3/4"	20	113	90	15	11	26	12	60	33.3	31.0	12.7	3/8"	M10	UC 204	FL 204	0.5
UCFL 204-12																	
UCFL 205	1"	25	130	99	16	13	27	16	68	35.7	34.0	14.3	1/2"	M14	UC 205	FL 205	0.6
UCFL 205-16																	
UCFL 206	1.1/4"	30	148	117	18	13	31	16	80	40.2	38.1	15.9	1/2"	M14	UC 206	FL 206	0.9
UCFL 206-20																	
UCFL 207	1.1/4"	35	161	130	19	14	34	16	90	44.4	42.9	17.5	1/2"	M14	UC 207	FL 207	1.2
UCFL 207-20																	
UCFL 207-22																	
UCFL 208	1.1/2"	40	175	144	21	14	36	16	100	51.2	49.2	19.0	1/2"	M14	UC 208	FL 208	1.6
UCFL 208-24																	
UCFL 209	1.3/4"	45	188	148	22	15	38	19	108	52.2	49.2	19.0	5/8"	M16	UC 209	FL 209	1.9
UCFL 209-28																	
UCFL 210	2"	50	197	157	22	15	40	19	115	54.6	51.6	19.0	5/8"	M16	UC 210	FL 210	2.2
UCFL 210-32																	
UCFL 211	2"	55	224	184	25	18	43	19	130	58.4	55.6	22.2	5/8"	M16	UC 211	FL 211	3.2
UCFL 211-32																	
UCFL 212	2.1/4"	60	250	202	29	18	48	23	140	68.7	65.1	25.4	3/4"	M20	UC 212	FL 212	4.1
UCFL 212-36																	
UCFL 213	2.1/2"	65	258	210	30	20	50	23	155	69.7	65.1	25.4	3/4"	M20	UC 213	FL 213	5.1
UCFL 213-40																	
UCFL 214	2.3/4"	70	265	216	31	20	54	23	160	75.4	74.6	30.2	3/4"	M20	UC 214	FL 214	5.9
UCFL 214-44																	
UCFL 215	3"	75	275	225	35	20	57	23	165	79.5	77.8	33.3	3/4"	M20	UC 215	FL 215	6.4
UCFL 215-48																	

All dimensions in millimetres unless otherwise stated. Every effort has been taken to ensure that the data listed in this catalogue is correct. Challenge accepts no liability for any inaccuracies or damage caused.

Take-Up Units

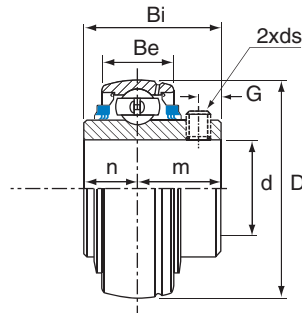


UCT 200 Take-Up Units (Normal Duty)

Bearing Unit	Shaft Dia.		o	g	p	q	∅s	b	k	e	a	w	j	l	h	Insert No.	Housing No.	Mass kg
	d inch	d																
UCT204 UCT204-12	3/4"	20	16	10	51	32	19	51	12	76	89	94	32	21	61	UC 204 UC 204-12	T204	0.74
UCT205 UCT205-16	1"	25	16	10	51	32	19	51	12	76	89	97	32	24	62	UC205 UC 205-16	T205	0.80
UCT206 UCT206-20	1.1/4"	30	16	10	56	37	22	57	12	89	102	113	37	28	70	UC 206 UC 206-20	T206	1.16
UCT207 UCT207-20 UCT207-22	1.1/4" 1.3/8"	35	16	13	64	37	22	64	12	89	102	129	37	30	78	UC 207 UC 207-20 UC 207-22	T207	1.56
UCT208 UCT208-24	1.1/2"	40	19	16	83	49	29	83	16	102	114	144	49	33	89	UC 208 UC 208-24	T208	2.32
UCT209 UCT209-28	1.3/4"	45	19	16	83	49	29	83	16	102	117	144	49	35	87	UC 209 UC 209-28	T209	2.28
UCT210 UCT210-32	2"	50	19	16	83	49	29	86	16	102	117	149	49	37	90	UC 210 UC 210-32	T210	2.44
UCT211 UCT211-32 UCT211-34	2" 2.1/8"	55	25	19	102	64	35	95	22	130	146	171	64	38	106	UC 211 UC 211-32 UC 211-34	T211	3.78
UCT212 UCT212-36	2.1/4"	60	32	19	102	64	35	102	22	130	146	194	64	42	119	UC 212 UC 212-36	T212	4.72

Inserts

UC 200 Inserts



UC 200 Inserts with Set Screws (Normal Duty)

Bearing Unit	Shaft Dia.		D	Bi	Be	n	m	G	ds		Load Rating (kg)		Mass kg		
	d inch	d mm							inch	mm	Dynamic	Static			
UC 204	3/4"	20	47	31.0	17	12.7	18.3	4.8	1/4"-28UNF	M6X1.0	1000	630	0.16		
UC 204-12		25												0.16	
UC 205	1"	25	52	34.0	17	14.3	19.7	5.5	1/4"-28UNF	M6X1.0	1100	710	0.20		
UC 205-16		30												0.20	
UC 206	1.1/4"	30	62	38.1	19	15.9	22.2	6.0	1/4"-28UNF	M6X1.0	1520	1020	0.32		
UC 206-20		35												0.32	
UC 207	1.1/4"	35	72	42.9	20	17.5	25.4	6.5	5/16"-24UNF	M8X1.0	2010	1390	0.48		
UC 207-20														5/16"-24UNF	0.54
UC 207-22														5/16"-24UNF	0.48
UC 208	1.1/2"	40	80	49.2	21	19.0	30.2	8.0	5/16"-24UNF	M8X1.0	2560	1810	0.64		
UC 208-24		45												0.68	
UC 209	1.3/4"	45	85	49.2	22	19.0	30.2	8.0	5/16"-24UNF	M8X1.0	2560	1810	0.68		
UC 209-28														50	0.70
UC 210	2"	50	90	51.6	24	19.0	32.6	10.0	3/8"-24UNF	M10X1.0	2750	2020	0.82		
UC 210-32														55	0.80
UC 211	2"	55	100	55.6	25	22.2	33.4	10.0	3/8"-24UNF	M10X1.0	3400	2550	1.11		
UC 211-32														60	1.26
UC 212	2.1/4"	60	110	65.1	27	25.4	39.7	10.0	3/8"-24UNF	M10X1.0	4100	3150	1.54		
UC 212-36														65	1.67
UC 213	2.1/2"	65	120	65.1	28	25.4	39.7	10.0	3/8"-24UNF	M10X1.0	4480	3470	1.86		
UC 213-40														70	1.94
UC 214	2.3/4"	70	125	74.6	30	30.2	44.4	12.0	7/16"-20UNF	M12X1.5	4870	3810	2.05		
UC 214-44														75	2.06
UC 215	3"	75	130	77.8	30	33.3	44.5	12.0	7/16"-20UNF	M12X1.5	5190	4190	2.12		
UC 215-48														80	2.21
UC 216	3.1/2"	80	140	82.6	33	33.3	49.3	14.0	1/2"-20UNF	M12X1.5	5700	4550	2.79		
UC 218-56														160	4.46

Bearing Speeds

The maximum rotational speed of a grease lubricated ball bearing is related to the fit between shaft and bearing.

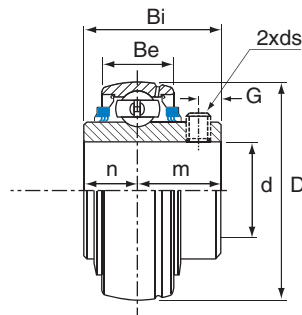
Under normal operating conditions the fit between the bearing and shaft should be h7. The maximum permissible bearing speeds are shown on the right.

A looser fit, allowing lower speeds is recommended for lighter loads and a tighter fit allowing higher speeds is recommended for heavier loads

Bearing No.	Max Speed rev/min	Bearing No.	Max Speed rev/min
201	4500	210	1800
202	4500	211	1600
203	4500	212	1500
204	4000	213	1400
205	3400	214	1300
206	2800	215	1200
207	2400	216	1100
208	2200	217	1000
209	1900	218	950

- Working temperatures -30°C to +120°C
- Grease nipple thread sizes:
201 - 209 M6
210 - 215 M8
216 - 218 M10

UCX 00 Inserts



UCX 00 Inserts with Set Screws (Medium Duty)

Bearing Unit	Shaft Dia.		D	Bi	Be	n	m	G	ds		Load Rating (kg)		Mass kg
	d inch	d mm							inch	mm	Dynamic	Static	
UCX05	1"	25	62	38.1	19	15.9	22.2	6	1/4"-28UNF	M6X1.0	1520	1020	0.39
UCX05-16		0.38											
UCX06	1.1/4"	30	72	42.9	20	17.5	25.4	6.5	5/16"-24UNF	M8X1.0	2010	1390	0.58
UCX06-20		0.55											
UCX07	1.1/4"	35	80	49.2	21	19.0	30.2	8.0	5/16"-24UNF	M8X1.0	2560	1810	0.72
UCX07-20													
UCX07-22	1.3/8"												0.72
UCX08	1.1/2"	40	85	49.2	22	19.0	30.2	8.0	5/16"-24UNF	M8X1.0	2650	1910	0.83
UCX08-24		0.87											
UCX09	1.3/4"	45	90	51.6	24	19.0	32.6	10.0	3/8"-24UNF	M10X1.0	2750	2020	0.95
UCX09-28		0.97											
UCX10	2"	50	100	55.6	25	22.2	33.4	10.0	3/8"-24UNF	M10X1.0	3400	2550	1.29
UCX10-32		1.26											
UCX11	2.1/4"	55	110	65.1	27	25.4	39.7	10.0	3/8"-24UNF	M10X1.0	4100	3150	1.80
UCX11-36		1.70											
UCX12	2.3/8"	60	120	65.1	28	25.4	39.7	10.0	3/8"-24UNF	M10X1.0	4480	3470	2.05
UCX12-38		2.03											
UCX13	2.1/2"	65	125	74.6	30	30.2	44.4	12.0	7/16"-20UNF	M12X1.5	4870	3810	2.52
UCX13-40		2.61											
UCX14	2.3/4"	70	130	77.8	30	33.3	44.5	12.0	7/16"-20UNF	M12X1.5	5190	4190	2.74
UCX14-44		2.75											
UCX15	3"	75	140	82.6	32	33.3	49.3	14.0	7/16"-20UNF	M12X1.5	5700	4550	3.41
UCX15-48		3.32											

Bearing Speeds

The maximum rotational speed of a grease lubricated ball bearing is related to the fit between shaft and bearing.

Under normal operating conditions the fit between the bearing and shaft should be h7. The maximum permissible bearing speeds are shown on the right.

A looser fit, allowing lower speeds is recommended for lighter loads and a tighter fit allowing higher speeds is recommended for heavier loads

Bearing No.	Max Speed rev/min	Bearing No.	Max Speed rev/min
201	4500	210	1800
202	4500	211	1600
203	4500	212	1500
204	4000	213	1400
205	3400	214	1300
206	2800	215	1200
207	2400	216	1100
208	2200	217	1000
209	1900	218	950

